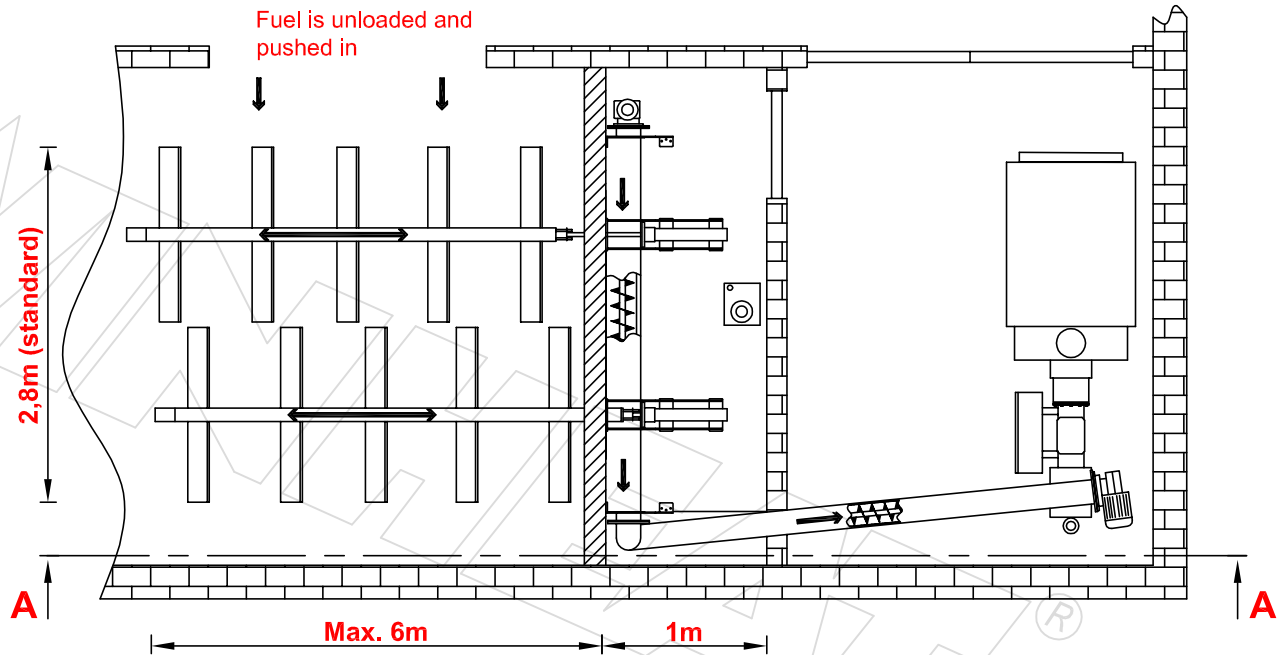
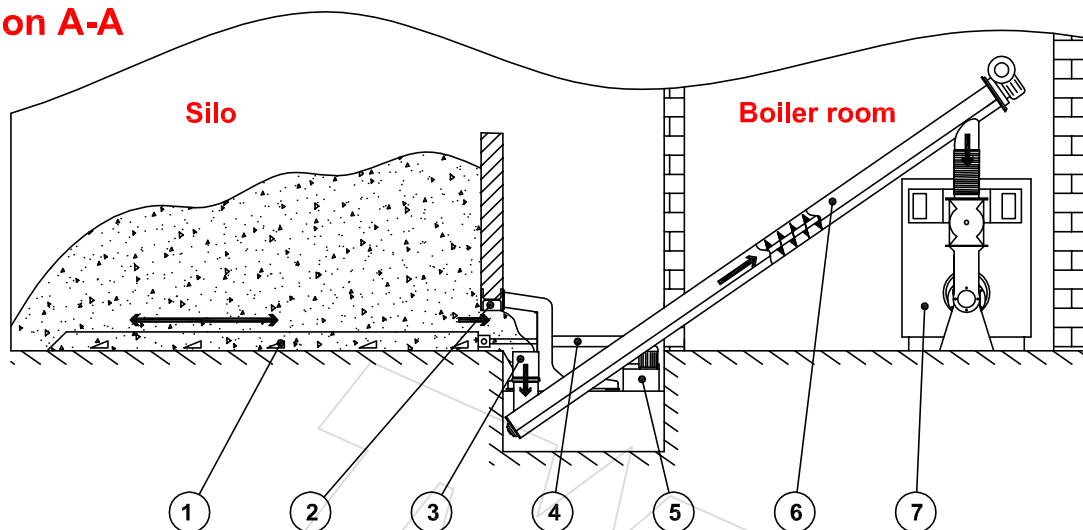


TWIN HEAT HYDRAULIC SCRAPER SYSTEM



Section A-A



- | | |
|------------------------|----------------------|
| 1. Hydraulic scrapers | 5. Hydraulic station |
| 2. Support steel beam | 6. Transport auger |
| 3. Horizontal auger | 7. Boiler |
| 4. Hydraulic cylinders | |

The Twin Heat scraper system is designed for fully automatic transport of fuels such as wood shavings, wood chips and sawdust from fuel stock to boiler. The scraper system is also well suited for the storage and transport of pellet fuel such as wood pellets etc.

The fuel is unloaded and pushed in on top of the scrapers [1] The scrapers pushes the fuel forward to the horizontal auger [3] which takes the fuel to the transport auger [6] The transport auger takes the fuel to the boiler.