

Date _____

Order no. _____

Plant layout Combi system type ME

For Twin Heat only

Nr. _____ / _____

Lev.uge _____

Sign. _____

ORDER FROM

DELIVERY ADDRESS

Please write delivery address in e-mail

Layout of the plant:

Please decide the layout 1, 2, 3 or 4 and the placing of controller and boiler door hinges.

Type: ME20i ME40i ME80i

Electrical connection: Single phase 230V 3 phase 400V

Accessories: Draught stabilizer 3-way shuntvalve Connection kit for auger

Layout 1

Hinges for boiler door:

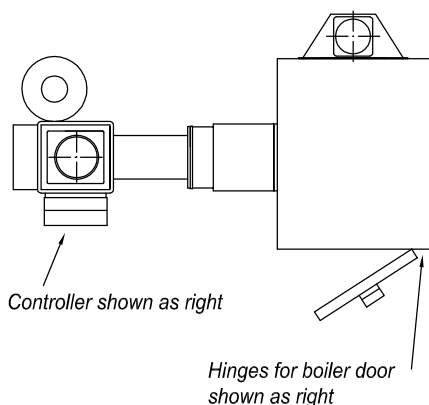
Right

Left

Controller:

Right

Left



Layout 2

Hinges for boiler door:

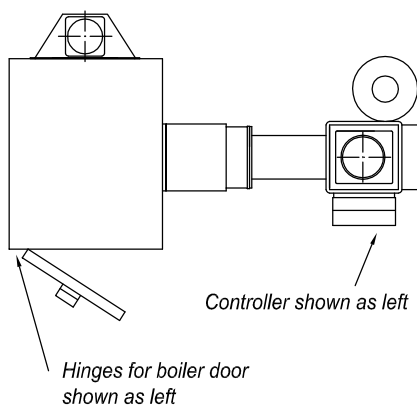
Right

Left

Controller:

Right

Left



Layout 3

Hinges for boiler door:

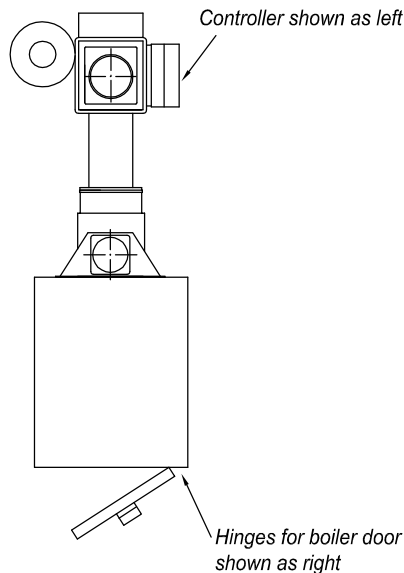
Right

Left

Controller:

Right

Left



Layout 4
(Stoker heating only)

Hinges for boiler door:

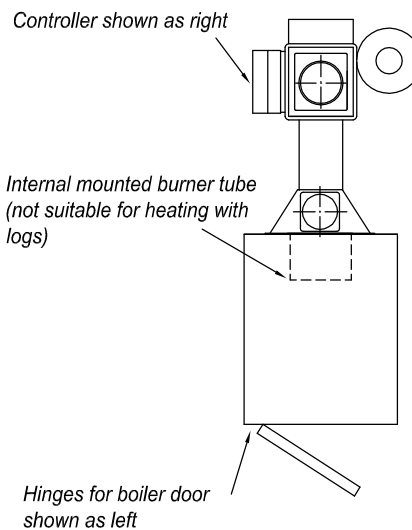
Right

Left

Controller:

Right

Left



www.twinheat.dk
twinheat@twinheat.dk

We reserve the rights to make changes - juli 2010