

Date \_\_\_\_\_

Plant layout - CS120i - CS150i - CS250i

For Twin Heat only

Nr. \_\_\_\_\_ / \_\_\_\_\_

Order no. \_\_\_\_\_

Lev.uge \_\_\_\_\_

Sign. \_\_\_\_\_

ORDER FROM

DELIVERY ADDRESS

Please write delivery address in e-mail

\_\_\_\_\_

\_\_\_\_\_

\_\_\_\_\_

\_\_\_\_\_

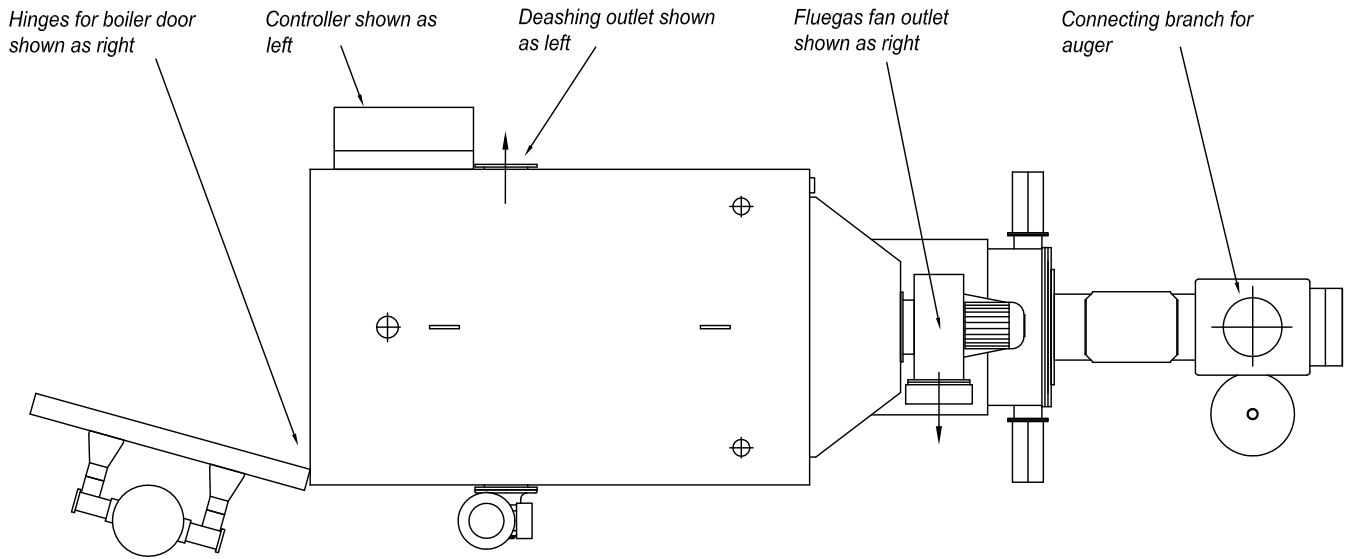
Type: CS120i  CS150i  CS250i

Deashing  Ash transport auger  Aut. cleaning system  GSM alarm

Accessories: Connection kit for auger 160mm  Connection kit for auger 225mm   
 Connection kit for auger 180mm  Draught stabilizer

Comments:

*Please decide which side of boiler the boilerdoor-hinges, cleaning door hinges, controller, deashing outlet and fluegas fan outlet are to be placed and the size of connecting branch for auger.*



Left Right

Hinges for cleaning door	<input type="checkbox"/>	<input type="checkbox"/>
Hinges for boiler door	<input type="checkbox"/>	<input type="checkbox"/>
Controller	<input type="checkbox"/>	<input type="checkbox"/>
Deashing outlet	<input type="checkbox"/>	<input type="checkbox"/>
Fluegas fan outlet	<input type="checkbox"/>	<input type="checkbox"/>
Connecting branch for auger	180mm <input type="checkbox"/>	160mm <input type="checkbox"/> 225mm <input type="checkbox"/>